








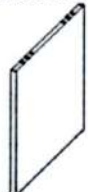
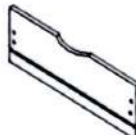










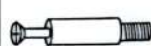








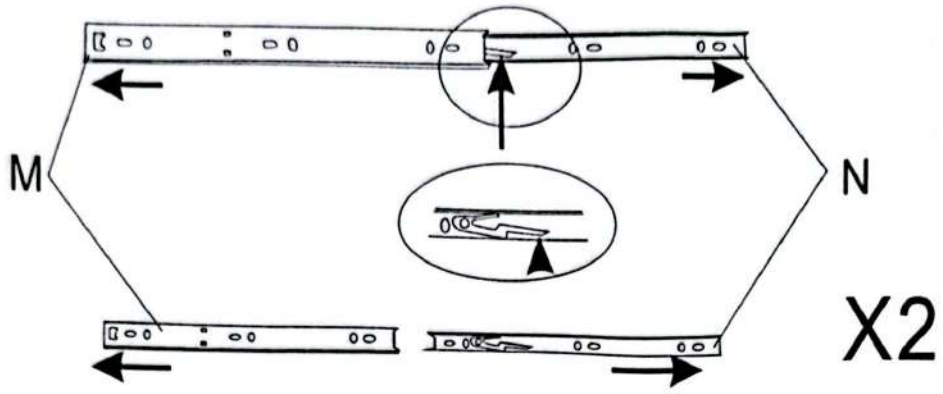
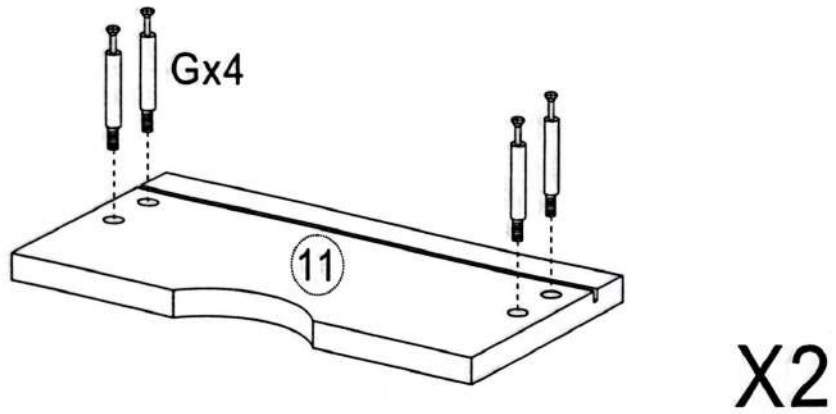


①x1 735X476X20mm 		②x1 420X476X20mm 		③x2 956X367X20mm 		④x1 956X85X20mm 	
⑤x1 700x480x15mm 		⑥x1 300x480x15mm 		⑦x1 300x480x15mm 		⑧x1 267x300x15mm 	
⑨x1 476x300x15mm 		⑩x1 476x300x15mm 		⑪x2 263x145x15mm 		⑫x2 217x90x15mm 	
⑬x2 350x90x15mm 		⑭x2 350x90x15mm 		⑮x2 342x227x2.5mm 			
Ax8  M6X15mm	Bx16  M6X30mm	Cx4  M6X40mm	Dx4  ∅ 16 mm	Ex4  M8mm	Fx24  ST3X12mm	Gx20  M6X40mm	Hx20  ∅ 15 mm
Ix16  ∅8X35mm	Jx4  ∅7X38mm	Kx8  ST5X45mm	Lx1 	Mx4 	Nx4 	Ox8  M6mm	

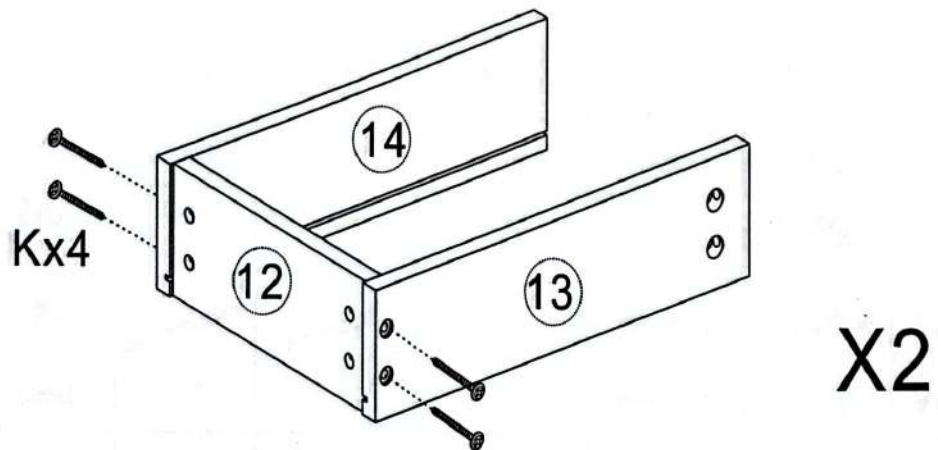
1



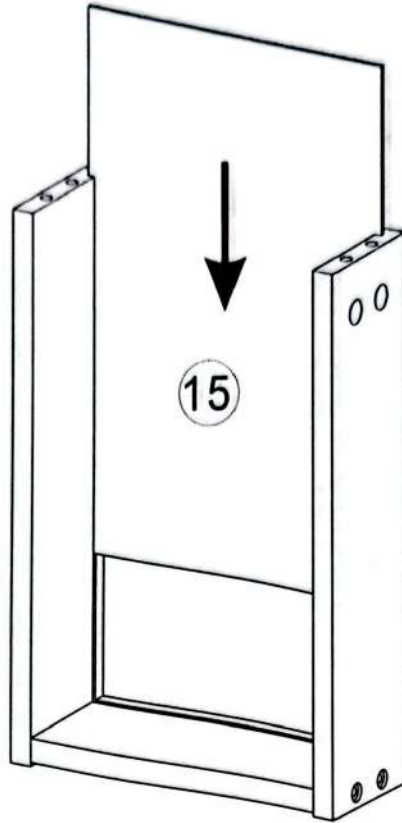
2



3

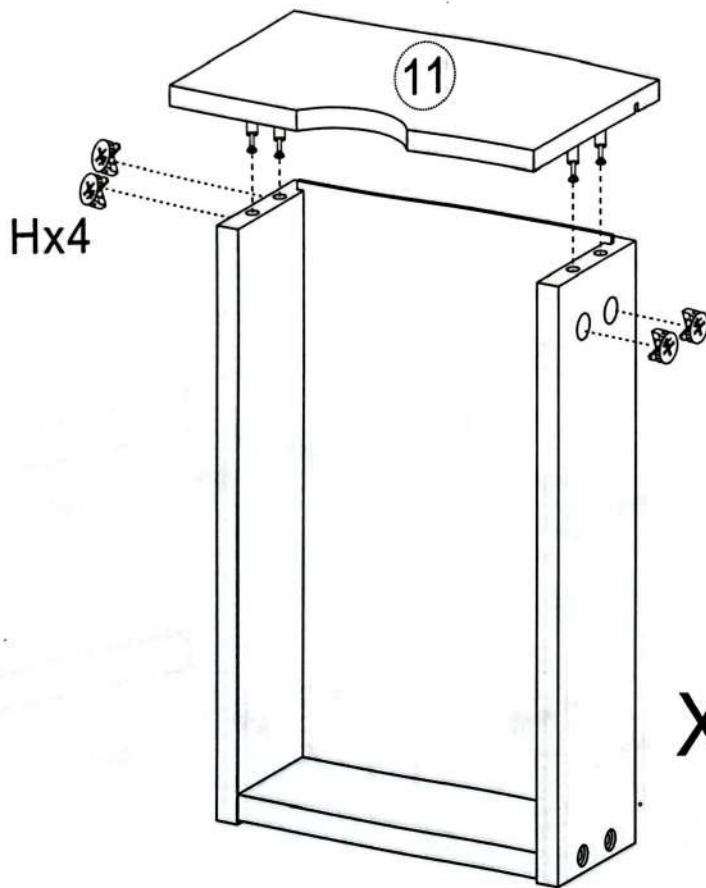


4

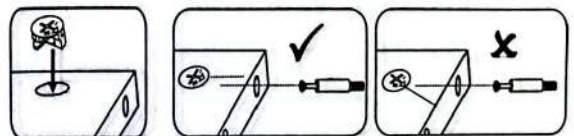


X2

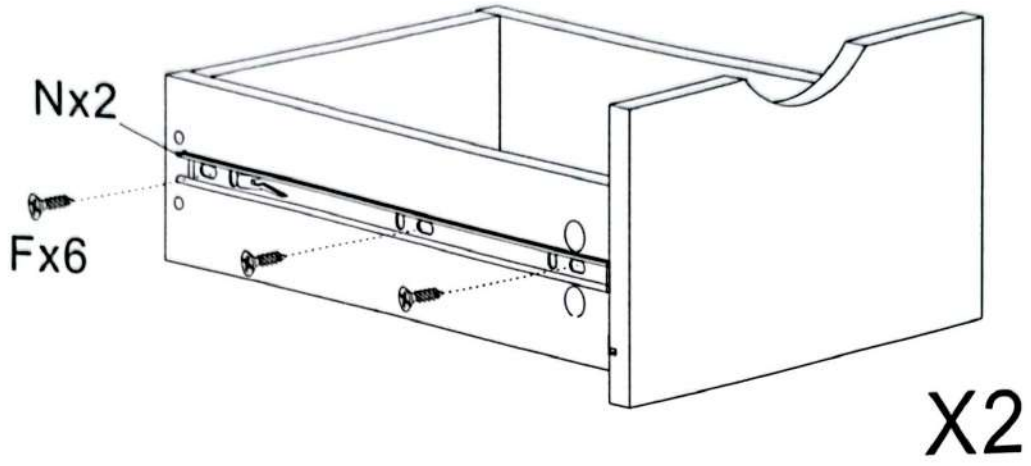
5



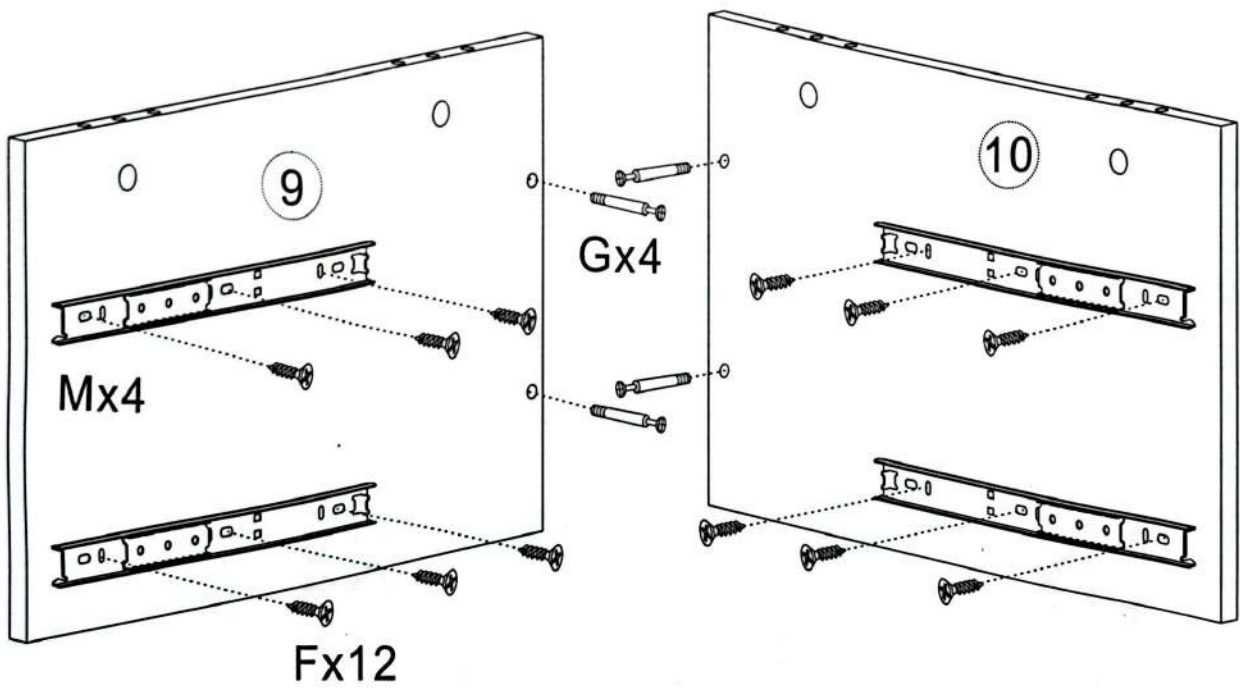
X2



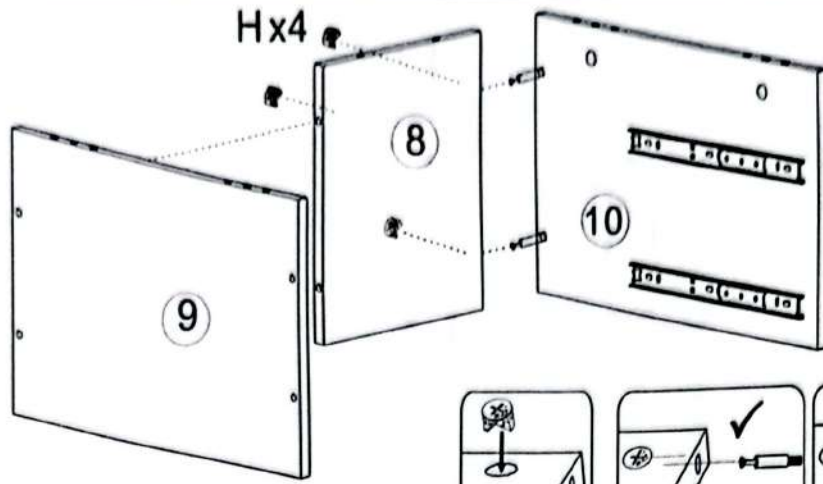
6



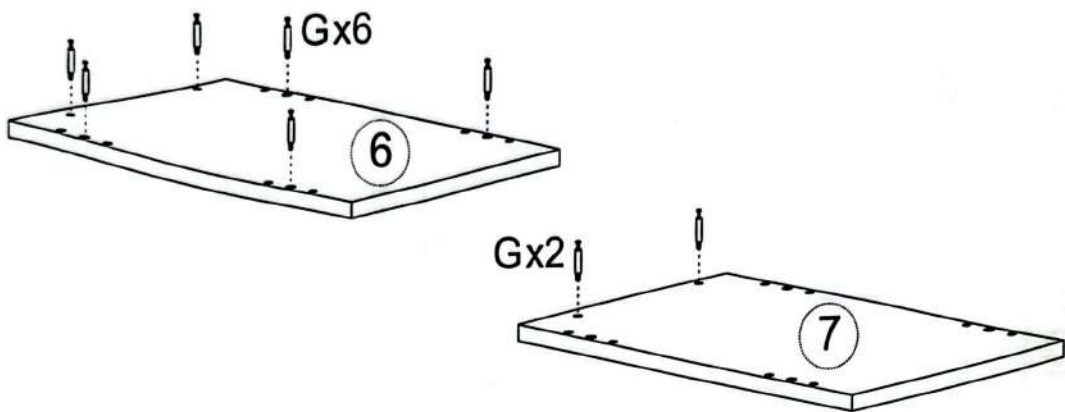
7



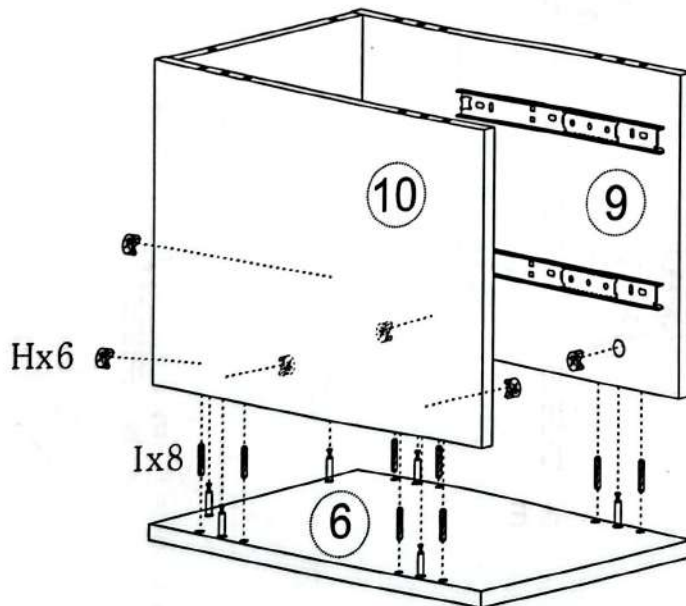
8



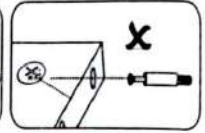
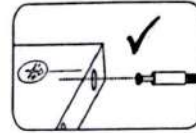
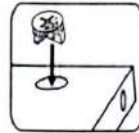
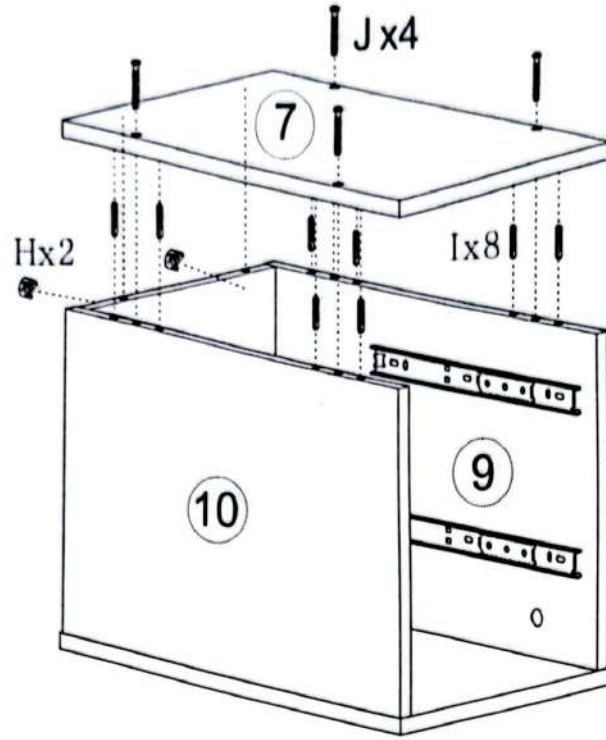
9



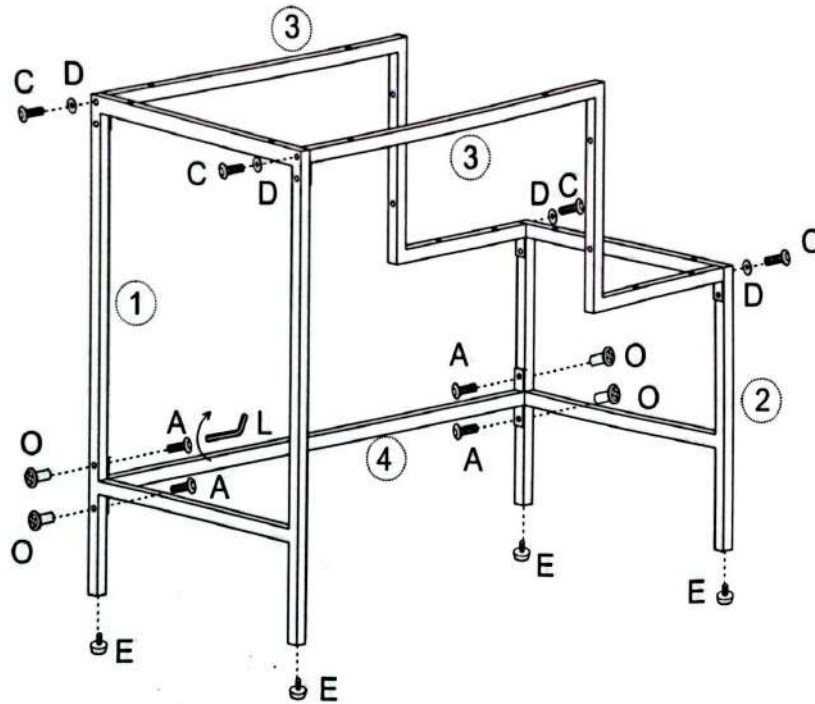
10



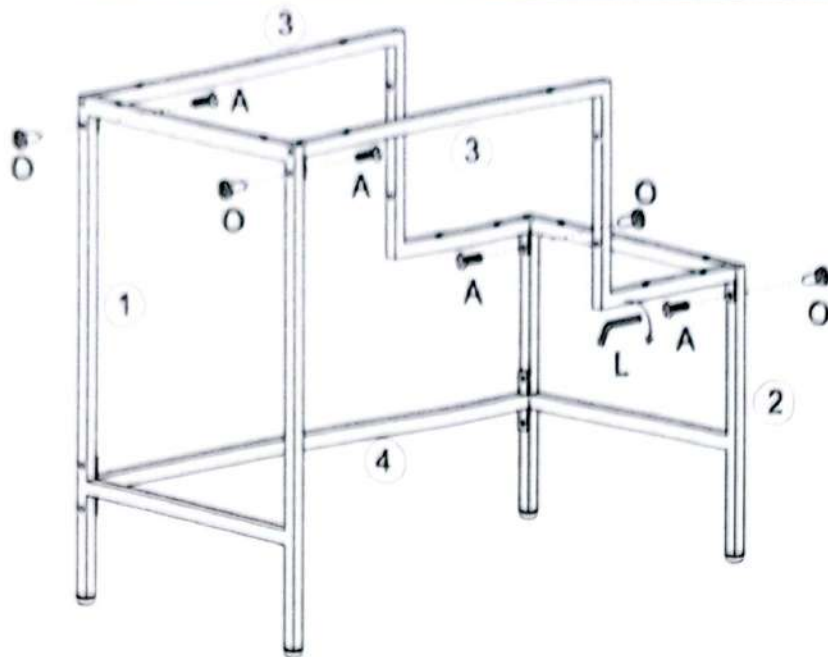
11



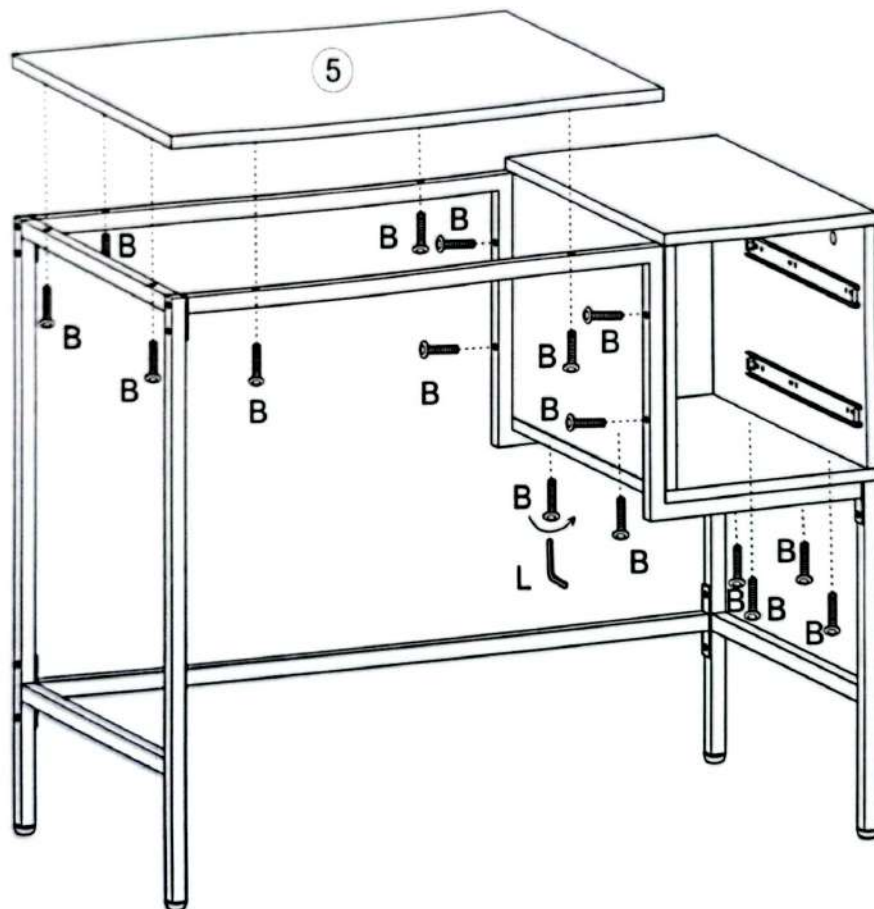
12



13



14



15

